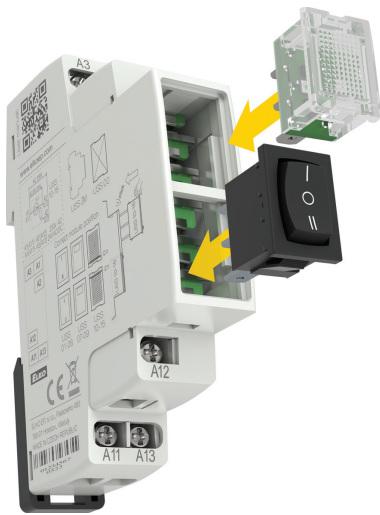


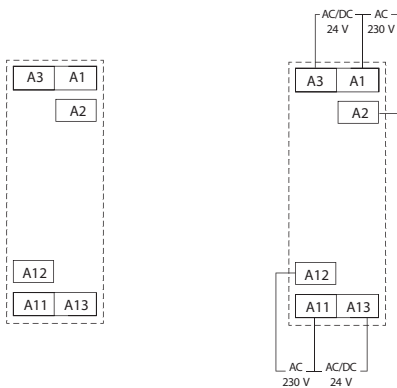
USS | Controlling and signaling modules



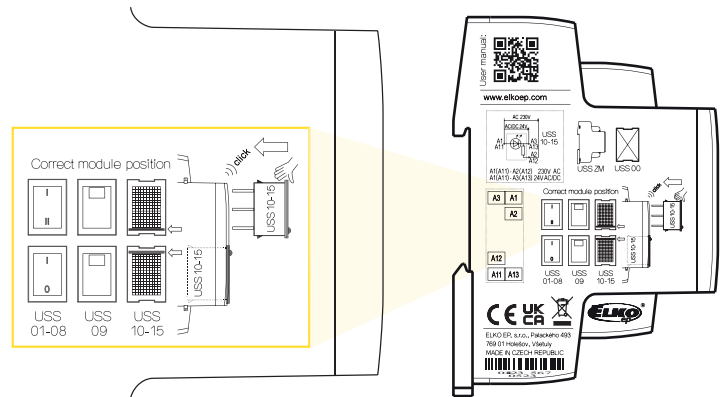
- Independent switch units designed for flexible controlling and switching of power circuits.
- USS - "Do It Yourself" = it is possible to "click into" different types of switches and signaling units into the basic module.
- Units are delivered as components and configured by the user.
- 16 types of units: switches, push buttons, signal lights of different colours including flashing light units.
- Units are also replaceable in the future (for example when an application is changed, extended, etc...).
- It is possible to place up to two units into one MODULE (e. g. 2x switch, 2x signaling lights or combinations) = saves space in switchboard panels.
- 1-MODULE (90 × 17.6 × 64 mm/3.5" × 0.7" × 2.5"), DIN rail mounting.
- Operating temperature -20 .. +55 °C (-4 .. 131 °F).
- M3 screw with stirrup terminals, pozidrive 1.

Connection

Connection of signaling light



Installing the USS into the module



Examples of mounting



USS-01 + USS-03



USS-07 + USS-11



USS-11 + USS-01



USS-10 + USS-00



USS-10 + USS-11



USS-07 + USS-00

TYPE DESIGNATION	EAN CODE	CONNECTION	RATED CURRENT/VOLTAGE (FOR SWITCHES) SUPPLY VOLTAGE (FOR SIGNALING LIGHTS)	DIMENSIONS	DESCRIPTION
USS-ZM	8595188124577	MODULE	-	90 × 17.6 × 64 mm (0.75" × 0.69" × 2.5")	Basic MODULE (housing with terminals and contacts)
USS-00	8595188124614	BLIND FLANGE	-	21 × 15 × 7 mm (0.83" × 0.59" × 0.28")	Used to fill in an empty position in the front panel
Switches, push buttons					
USS-01	8595188124621		6A/250 V AC	21 × 15 × 20 mm (0.83" × 0.59" × 0.79")	Switch
USS-02	8595188124638		10 A/250 V AC	21 × 15 × 20 mm (0.83" × 0.59" × 0.79")	Toggle switch
USS-03	8595188124645		10 A/250 V AC	21 × 15 × 20 mm (0.83" × 0.59" × 0.79")	Toggle switch with central position
USS-04	8595188124652		6 A/250 V AC	21 × 15 × 20 mm (0.83" × 0.59" × 0.79")	Switch + push button with central position
USS-05	8595188124669		6 A/250 V AC	21 × 15 × 20 mm (0.83" × 0.59" × 0.79")	Toggle push button with central position
USS-06/S	8595188124676		10 A/250 V AC	21 × 15 × 20 mm (0.83" × 0.59" × 0.79")	Push button NO
USS-06/R	8595188136372		10 A/250 V AC	21 × 15 × 20 mm (0.83" × 0.59" × 0.79")	Push button NC
Switches with back-light					
USS-07	8595188124713		6 A/250 V AC	21 × 15 × 20 mm (0.83" × 0.59" × 0.79")	Switch with back-light (red)
USS-08	8595188124720		6 A/250 V AC	21 × 15 × 20 mm (0.83" × 0.59" × 0.79")	Switch with back-light (green)
USS-09	8595188124706		6 A/250 V AC	21 × 15 × 20 mm (0.83" × 0.59" × 0.79")	Switch with back-light (yellow) * differs in wiring from USS-07 .. 08
Signaling lights					
USS-10	8595188124331		A1-A2, AC 230 V A1-A3, AC/DC 24 V	21 × 15 × 14 mm (0.83" × 0.59" × 0.55")	Signaling LED (red)
USS-11	8595188124348		A1-A2, AC 230 V A1-A3, AC/DC 24 V	21 × 15 × 14 mm (0.83" × 0.59" × 0.55")	Signaling LED (green)
USS-12	8595188124355		A1-A2, AC 230 V A1-A3, AC/DC 24 V	21 × 15 × 14 mm (0.83" × 0.59" × 0.55")	Signaling LED (yellow)
USS-13	8595188124362		A1-A2, AC 230 V A1-A3, AC/DC 24 V	21 × 15 × 14 mm (0.83" × 0.59" × 0.55")	Signaling LED (white)
USS-14	8595188124898		A1-A2, AC 230 V A1-A3, AC/DC 24 V	21 × 15 × 14 mm (0.83" × 0.59" × 0.55")	Signaling LED FLASHING (red)
USS-15	8595188124379		A1-A2, AC 230 V A1-A3, AC/DC 24 V	21 × 15 × 14 mm (0.83" × 0.59" × 0.55")	Signaling LED (blue)