

ELKO EP, s.r.o.
 Palackého 493
 769 01 Holešov, Vsetuly
 Czech Republic
 Tel.: +420 573 514 211
 e-mail: elko@elkoep.com
 www.elkoep.com



GPSR-1

Receiver GPS



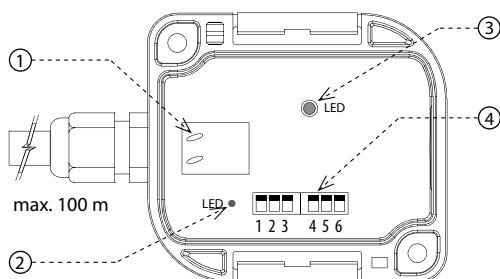
Made in Czech Republic

02-1/2022 Rev.: 0

Characteristics

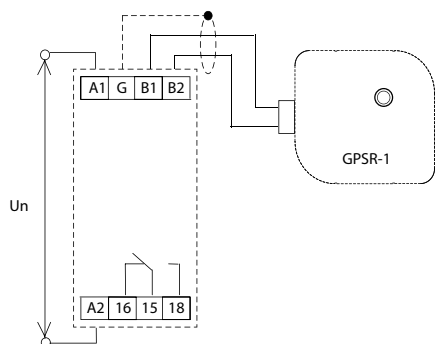
- GPS module, designed for synchronization of switching clock SHT-6.
- Two-wire connection using screwless terminals - no matter the polarity!
- Connection cable length up to 100m.
- Optical indication of module functional states.
- It broadcasts time information in DCF 77 format.
- Setting the time zone of the DIP switch (UTC-12 to UTC+14).
- Choice of one of 40 time zones
- **The receiver is only compatible with the new SHT-6G version (EAN: 8595188182751) and firmware 2.37 or higher**

Description



1. Connection terminals with SHT-6
2. Indication of operating states
3. Sync indication
4. DIP switches to set the time zone

Connection with SHT-6



If a shielded cable is used, connect the shield to terminal G.

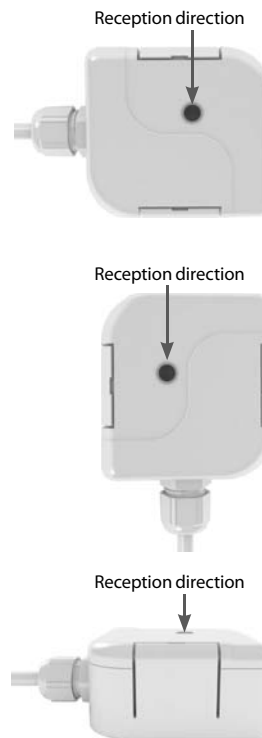
Technical parameters

GPSR-1

Connected:	two-wire, it does not depend on polarity
Max. voltage on conductors:	DC 10 V
Other information	
Working temperature:	-20.. +55 °C
Storage temperature:	-30.. +70 °C
Covers:	IP65
Terminal plate:	screwless clamps
Cross-section of connecting conductors:	drat: 0.2 - 0.75 mm ² / cable + core: 0.25 - 0.34 mm ²
About the connection cable:	max. 6.5 mm
Dimension:	98 x 62 x 34 mm
Weight:	96 g
Reception area:	whole world

Installation

- It must be mounted so that there are no obstacles between the GPS receiver and the direction of reception (trees, roofs of buildings, etc.)
- There must not be any transformers, contactor relays, fluorescent lamps, etc., placed in the immediate vicinity of the GPS receiver (about 1m)
- Do not install GPS receiver near metal objects, el. cables, etc.



LED indication

	red LED (under cover)	green LED
Failure of internal circuits		-
Searching for GPS signal		-
Synchronization time. Information		-
GPS signal OK - sending time information	-	

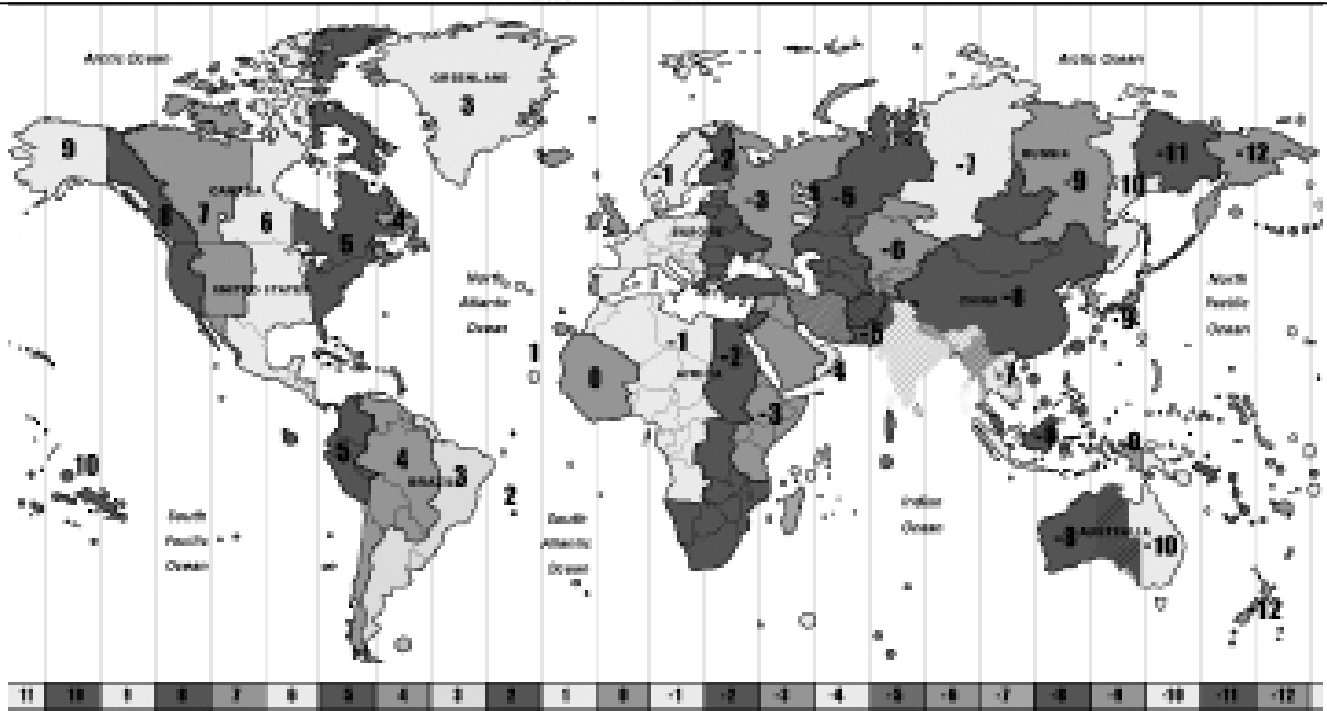
Function

GPSR-1 is designed to receive and decode the signal GPS. The correct operation is indicated by the red LED flashing at interval 1s.

Warning

Installation and connection should only be carried out by a qualified installer or electrician, who is thoroughly familiar with these instructions and functions of device. Before starting the installation, please make sure that the device is de-energized and the main switch is in the off position. For installation and setting use screw-driver cca 2 mm. The device is fully-electronic - installation should be carried out according to this fact. Non-problematic function depends also on the way of transportation, storing and handling. In case of any signs of destruction, deformation, non-function or missing part, don't install and claim at your seller it is possible to dismount the device after its lifetime, recycle, or store in protective dump.

Overview of time zones



Set up time zones

Function	DIP-1	DIP-2	DIP-3	DIP-4	DIP-5	DIP-6
0	TEST LED + DIP switches	OFF	OFF	OFF	OFF	OFF
1	UTC	OFF	OFF	OFF	OFF	ON
2	UTC+1	OFF	OFF	OFF	ON	OFF
3	UTC+2	OFF	OFF	OFF	ON	ON
4	UTC+3	OFF	OFF	OFF	ON	OFF
5	UTC+3:30	OFF	OFF	OFF	ON	ON
6	UTC+4	OFF	OFF	OFF	ON	OFF
7	UTC+4:30	OFF	OFF	OFF	ON	ON
8	UTC+5	OFF	OFF	ON	OFF	OFF
9	UTC+5:30	OFF	OFF	ON	OFF	ON
10	UTC+5:45	OFF	OFF	ON	ON	OFF
11	UTC+6	OFF	OFF	ON	ON	ON
12	UTC+6:30	OFF	OFF	ON	ON	OFF
13	UTC+7	OFF	OFF	ON	ON	ON
14	UTC+8	OFF	OFF	ON	ON	OFF
15	UTC+8:45	OFF	OFF	ON	ON	ON
16	UTC+9	OFF	ON	OFF	OFF	OFF
17	UTC+9:30	OFF	ON	OFF	OFF	ON
18	UTC+10	OFF	ON	OFF	ON	OFF
19	UTC+10:30	OFF	ON	OFF	ON	ON
20	UTC+11	OFF	ON	OFF	ON	OFF
21	UTC+11:30	OFF	ON	OFF	ON	ON
22	UTC+12	OFF	ON	OFF	ON	OFF
23	UTC+12:45	OFF	ON	OFF	ON	ON
24	UTC+13	OFF	ON	ON	OFF	OFF
25	UTC+14	OFF	ON	ON	OFF	ON
26	UTC-12	OFF	ON	ON	ON	OFF
27	UTC-11	OFF	ON	ON	ON	ON
28	UTC-10	OFF	ON	ON	ON	OFF
29	UTC-9:30	OFF	ON	ON	ON	ON
30	UTC-9	OFF	ON	ON	ON	OFF
31	UTC-8	OFF	ON	ON	ON	ON
32	UTC-7	ON	OFF	OFF	OFF	OFF
33	UTC-6	ON	OFF	OFF	OFF	ON
34	UTC-5	ON	OFF	OFF	OFF	OFF
35	UTC-4:30	ON	OFF	OFF	OFF	ON
36	UTC-4	ON	OFF	OFF	ON	OFF
37	UTC-3:30	ON	OFF	OFF	ON	ON
38	UTC-3	ON	OFF	OFF	ON	OFF
39	UTC-2	ON	OFF	OFF	ON	ON
40	UTC-1	ON	OFF	ON	OFF	OFF
41...61	not used	-	-	-	-	-
62	TEST communication	ON	ON	ON	ON	ON
63	TEST LED + DIP switches	ON	ON	ON	ON	ON